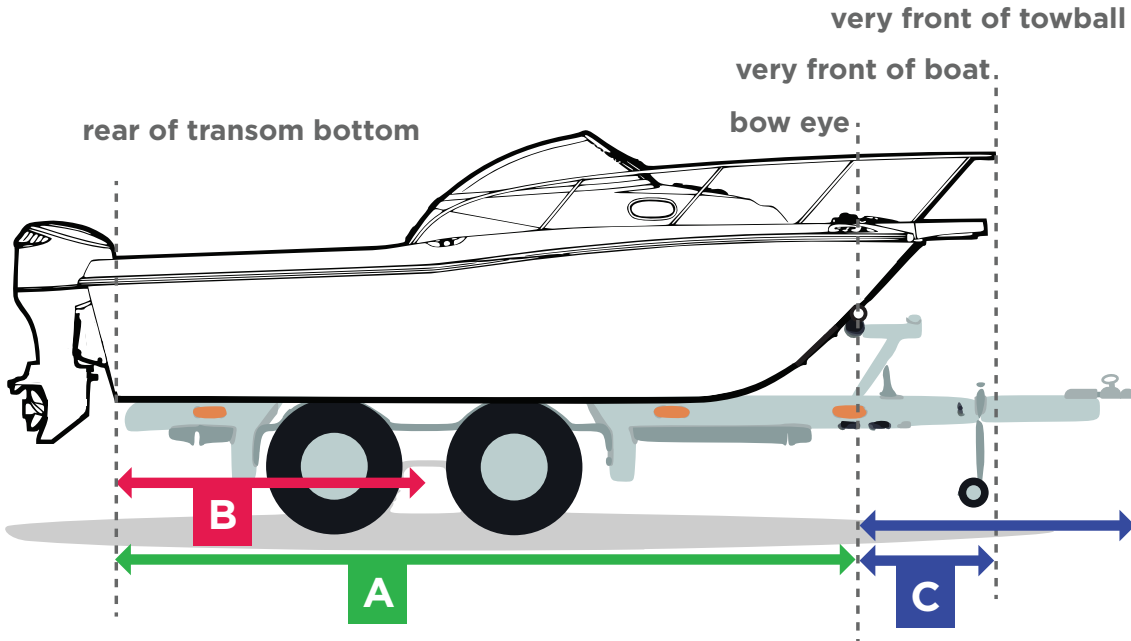


KEY DIMENSIONS & DATA FOR TRAILER SIZING

NAME _____ BOAT _____

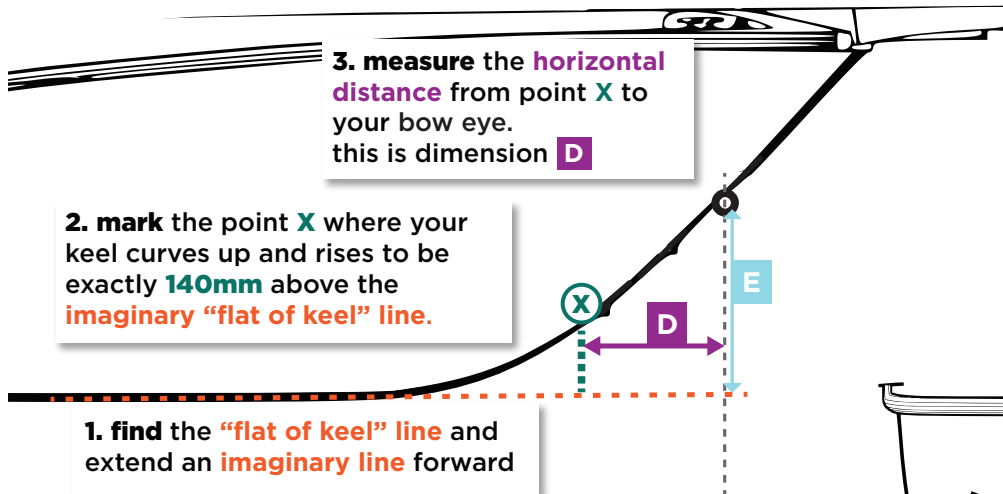


LENGTH (note: all length measurements are **horizontal** distance)

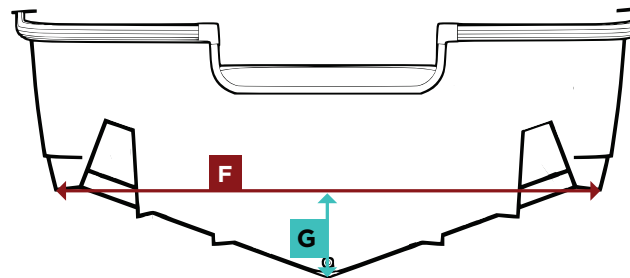
- A** From rear of transom bottom to bow eye _____
- B** From rear of transom bottom to midpoint of wheels (or to wheel centre for single axle) _____
- C** i) From bow eye to front of boat (including anchor if hanging off front) _____, ii) and to front of towball _____
- D** Horizontal distance from point on the bow (**point X**) that is 140mm higher than the **flat of the keel**, to the vertical point below the bow eye _____

WIDTH & OTHER INFORMATION

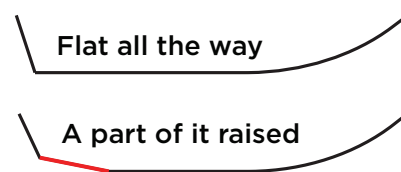
- E** Bow eye height above **flat of the keel** _____
 - F** Transom width at chines _____
 - G** Deadrise height at chines _____
 - H** Approximate total weight of boat + motor + current trailer (or whatever other weight figures you can provide) _____
 - I** Hull material (**fiberglass / alloy / plate-alloy**) _____
 - J** Keel shape (**flat / part raised**)
 - K** Keel type (**curve / flat / block / vee**)
- If flat: measure width of flat section at transom _____ mm



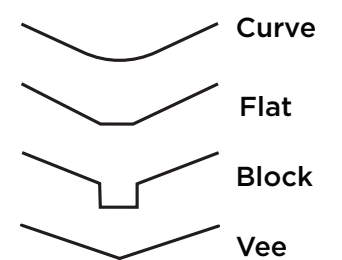
The top of the C-channel at the front of our trailer is 140mm higher than our keel slides, so we are finding the lowest point on your bow where your boat will still clear the C-channel. This determines how far forward we can bring your boat, and is required to calculate whether or not a trailer will fit.



J Keel shape



K Keel type



For more information visit spitfirewa.com.au/trailer-sizing

ANDREW 0450 731 952